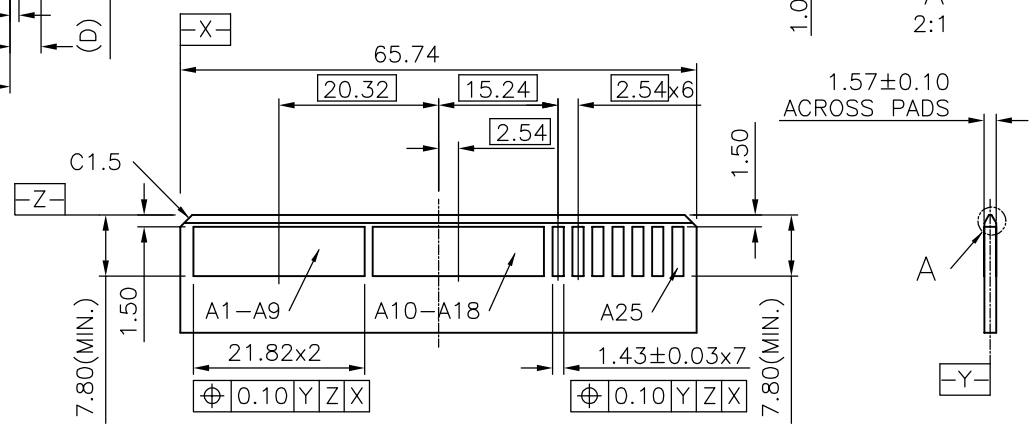
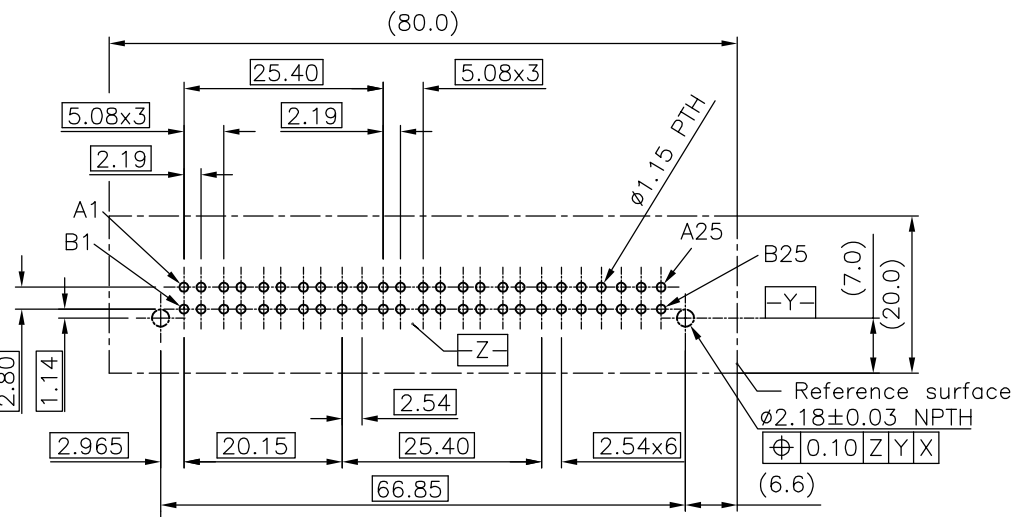
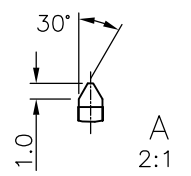
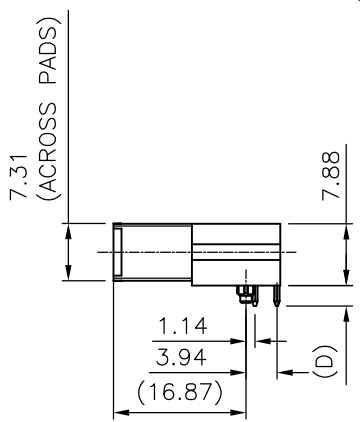
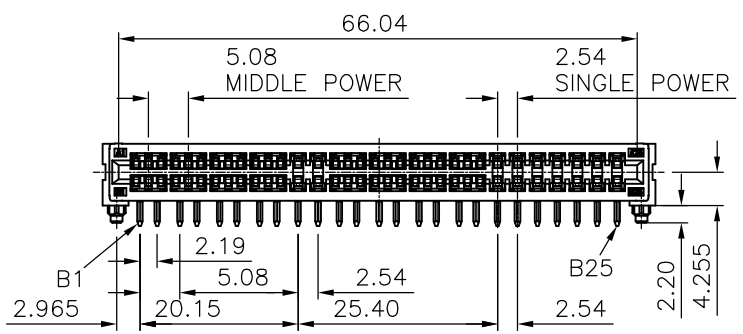


- NOTES:
- MATERIAL:
    - HOUSING: THERMOPLASTIC, HIGH TEMP., UL94V-0; COLOR:BLACK.
    - CONTACT: COPPER ALLOY
  - FINISH:
    - CONTACT:SEE ORDER INFORMATION.
    - UNDERPLATING: 50~100u" NICKEL OVERALL.
  - REFLOW SOLDER CAPABLE TO 260°C PER ACES SPEC.
  - SPEC. PLS. REFER TO PS-52943-xxxxx-xxx
  - PACKAGE PLS. REFER TO 52943-xxxCR-U
  - PART NUMBER

52943-XXX X X -XXX

CKTS \_\_\_\_\_  
 050, 50PIN  
 PACKAGE \_\_\_\_\_  
 0.TAPE & REEL  
 CONTACT PLATED \_\_\_\_\_  
 D.Au 30u" ON CONTACT

	DIM D
V02	2.6+/-0.2
002	3.67+/-0.2



RECOMMEND MATING BOARD LAYOUT  
 DIMENSION TOERANCE IS ±0.05MM

RECOMMEND HOST BOARD LAYOUT  
 DIMENSION TOERANCE IS ±0.05MM

<b>QUALITY SYMBOLS</b> MAJOR Ⓢ CRITICAL Ⓢ <b>GENERAL TOLERANCES</b> ( UNLESS SPECIFIED ) X. ±0.5 .X ±0.25 .XX ±0.15 .XXX ±0.1 ANGLES ±2°	DRAWN BY CHEN CHUN YUAN 21/06/21	DATE 21/06/21		<b>TITLE</b> POWER CONN.
	CHECKED BY TSO I HUNG 21/06/21	DATE 21/06/21		
	APPROVED BY WANG CHUN SHENG 21/06/21		SCALE 1:1	SHEET NO. 1 OF 1
			REV B	DWG NO. 52943-XXXXX-XXX